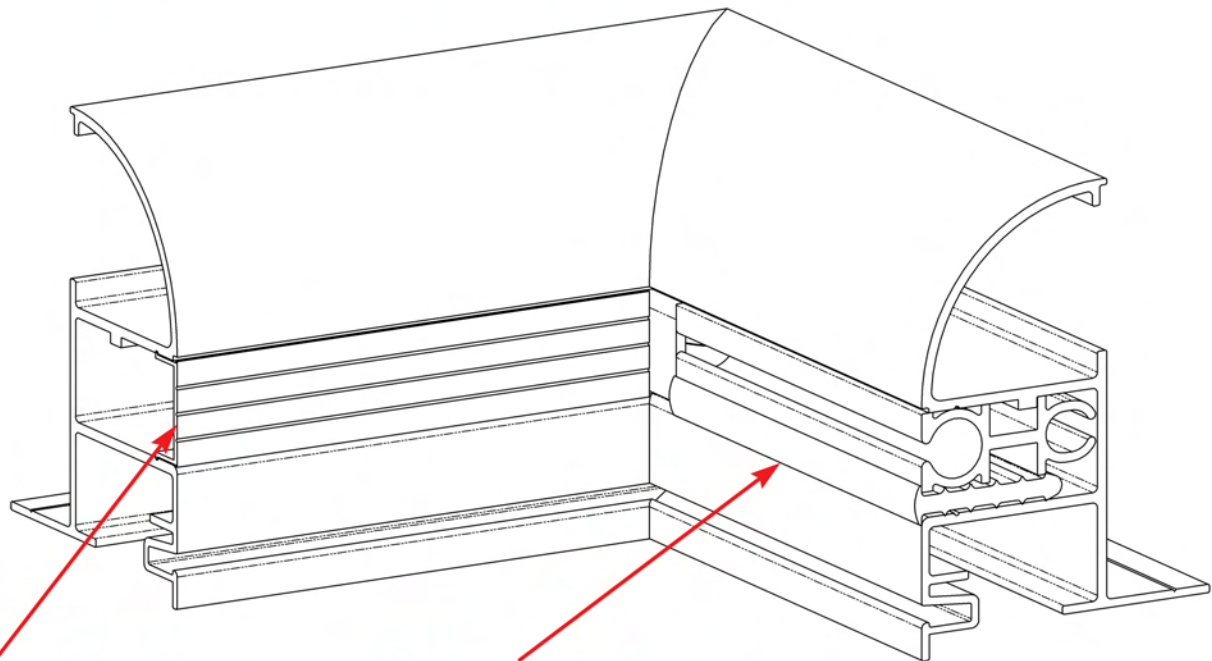


USE FILLER/ SPACER TO
SET TRACK DISTANCE
FROM END OF COPING

INSTALL TRACK USING A
SPLICE AT EACH JOINT



INSERT FILLER STRIP INTO
COPING AT END OF POOL

INSTALL FLEXI-WEDGE
USING A RUBBER MALLOT
TO RETAIN TRACK

