

AUTOGUARD™ OPTIONS FOR EXISTING POOLS



Automatic Pool Covers



Your Safest Option™

Recessed AutoGuard™



Deck Mount AutoGuard™



Deck Mount AutoGuard™
Bench Ends only



Recessed AutoGuard™

The Recessed AutoGuard™ is designed specifically for existing pools, allowing the cover system to be integrated into the pool deck. This option features a low-profile top track and a recessed housing for the mechanism.

Deck Mount AutoGuard™

The Deck Mount AutoGuard™ is installed directly on top of the existing pool deck and concealed within a durable, multi-purpose housing made from 100% weather-resistant PVC. Featuring a low-profile top track system, this option is ideal for existing pools where recessed housing is not possible or preferred.

Bench Options

- Up to 24' long
- 100% weather-resistant cover housing is available in three colors: White, Beige and Light Gray
- Bench Ends are an easy-to-install, cost efficient way to cover mechanism components for safety purposes.



PowerTouch™ Controller

- Powered by SmartMotion™ Technology, it senses obstructions and automatically powers off the motor to protect against mechanical damage
- SmartMotion™ Technology allows you to adjust torque sensitivity settings directly from the touchpad
- Backlit for day and night operations
- Raised, responsive buttons make it easier to operate

POWERTOUCH.



40ft Cord Pool Cover Pump

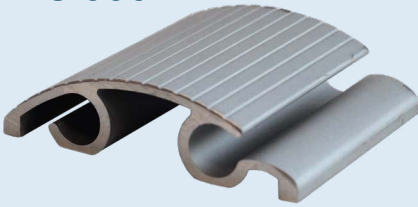
- Eliminates need for extension cord
- Exclusive Caviar Black color
- Removes up to 1,745 gallons per hour
- CoverBlast® nozzle
- Automatic On/Off
- 3 year warranty





TOP TRACK

XC 0004



Innovation and quality are at the heart of every product we create for pools around the world. Our Top Track is used primarily for existing pools. Its low profile design enables the cover to run on the top of the pool deck.

Invis-A-Rope™

Exclusive Invis-A-Rope™ blends into the track for a nearly invisible aesthetic customers love

The competitor's rope



Our state of the art Invis-A-Rope™



Vinyl

- Infused with UV and chemical protectants with a tighter weave mesh to improve performance
- Hybrid manufacturing process attaches webbing to vinyl
- Heat-welded webbing that color matches vinyl* for a clean look
- Proprietary stitching process that helps to eliminate puckered vinyl

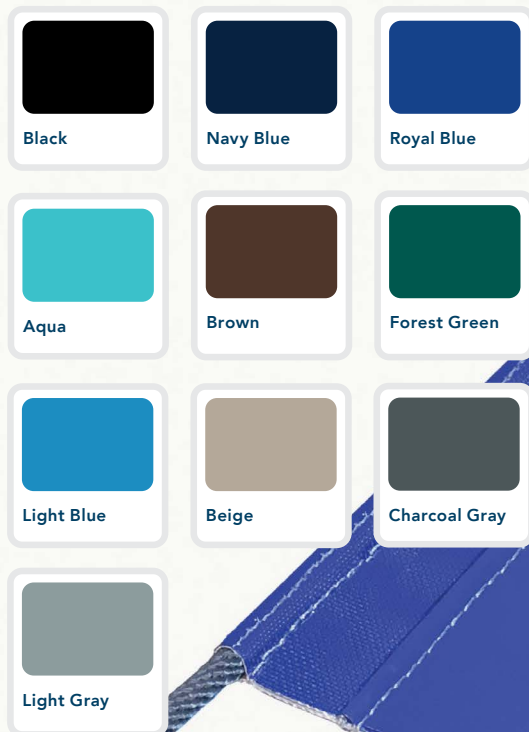
**Color matched webbing is currently not available for black or aqua vinyl*

Motor

- 100% submersible and water-resistant
- 3/4HP electric motor
- 1,500lbs of torque



Cover Colors



Black



Navy Blue



Royal Blue



Aqua



Brown



Forest Green



Light Blue



Beige



Charcoal Gray

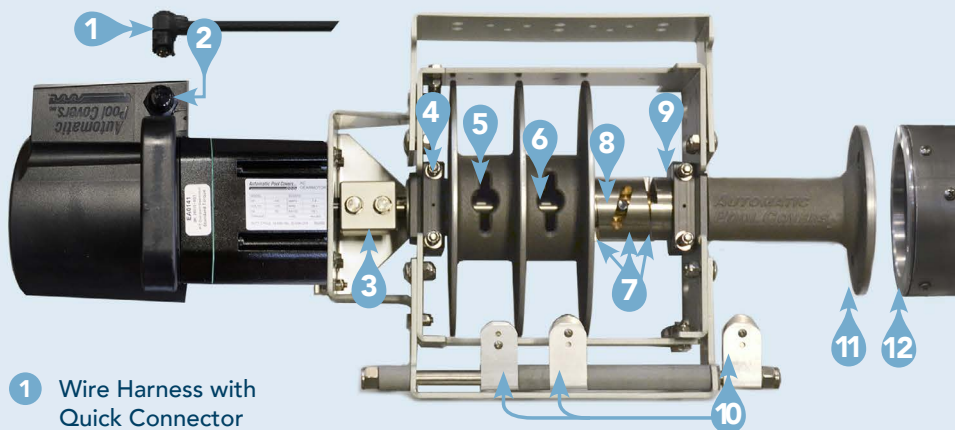


Light Gray



AutoGuard™ Drive System

- Meets ASTM F1346 safety standards
- Quick-connect cords allow you to access the motor within seconds
- Pool cover rope attaches to the AutoGuard™ without needing fasteners
- Self-adjusting pulleys align with track height



- 1 Wire Harness with Quick Connector
- 2 Quick Connect Power Receptacle
- 3 Quick Release Motor Coupler
- 4 Tension Block for Rope Reels
- 5 Rope Reels
- 6 Fastener-less Rope Key Holes
- 7 (3) Shifting Dogs
(2) Single and (1) Double
- 8 Hardened Steel Drive Pin
- 9 Tension Block for Roll-Up Tube
- 10 Self-Adjusting Pulleys for Ropes
- 11 End Casting to Attach to Roll-Up Tube
- 12 Roll-Up Tube

AUTOGUARD™ OPTIONS FOR EXISTING POOLS



Automatic Pool Covers
Your Safest Option™